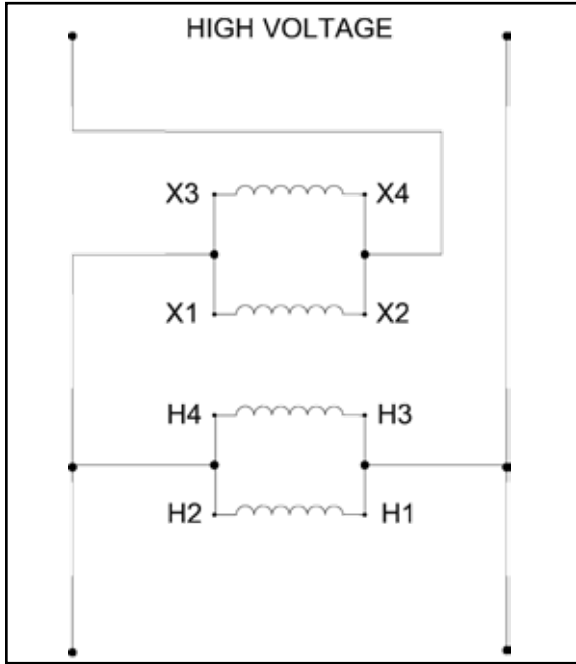
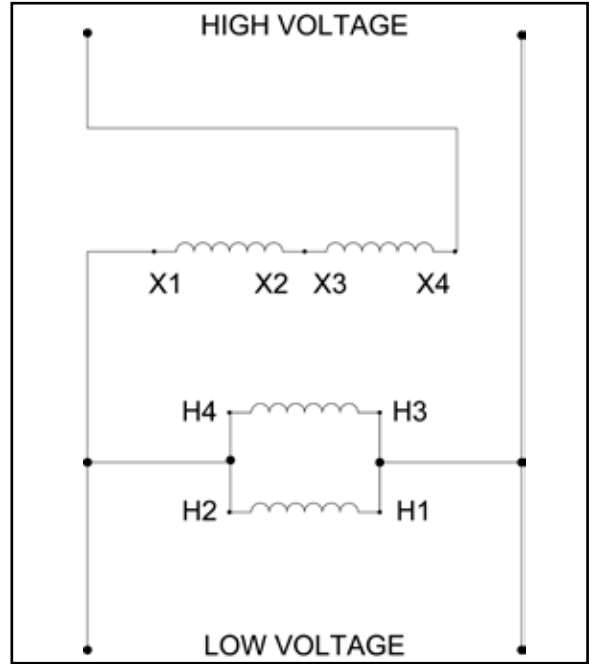


## Single Phase Connection Diagrams

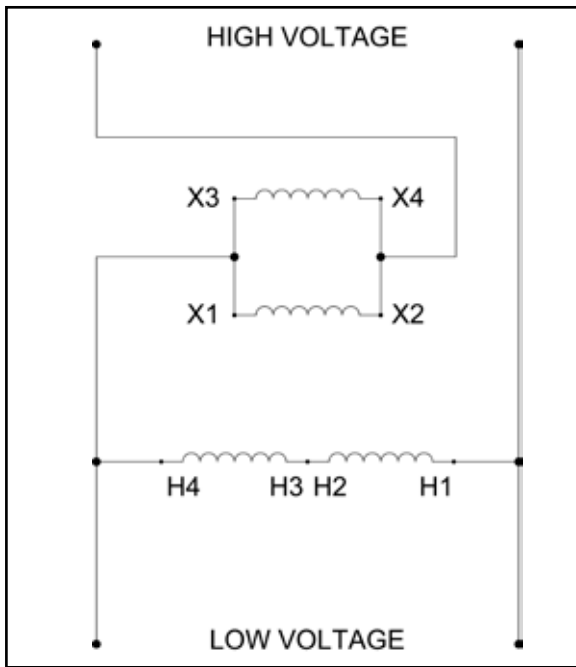
SECTION 2



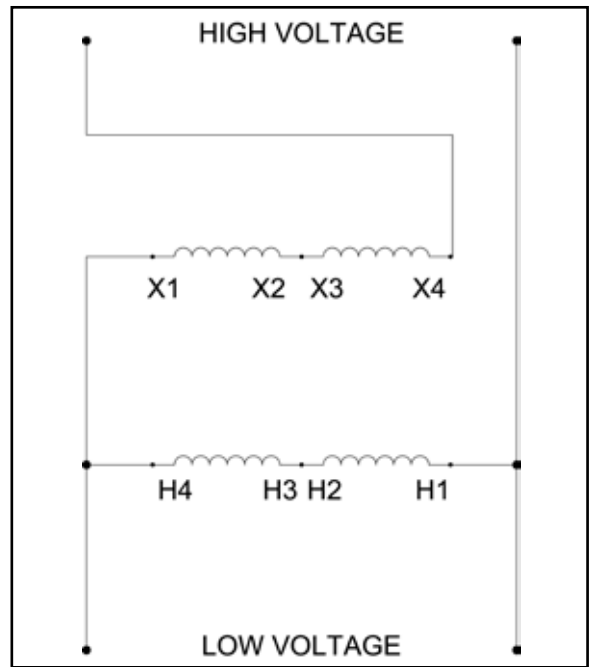
Connection Diagram #1



Connection Diagram #2

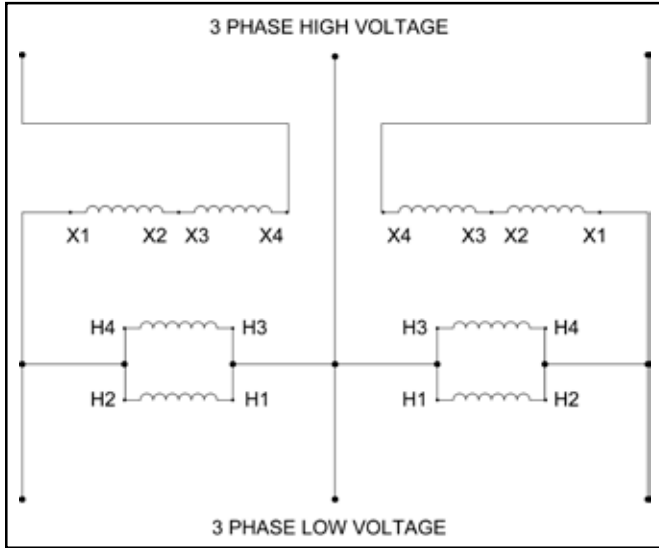


Connection Diagram #3

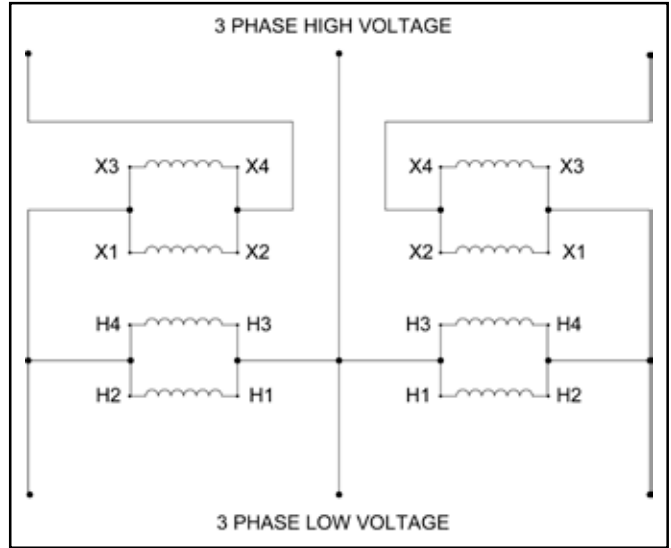


Connection Diagram #4

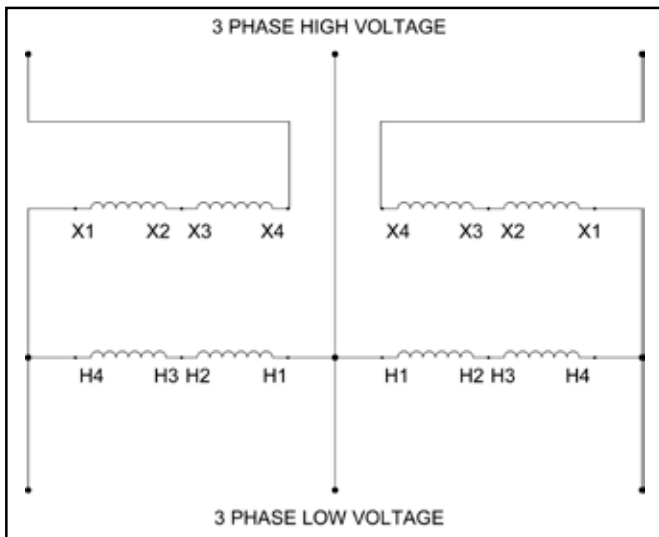
## Three Phase Connection Diagrams



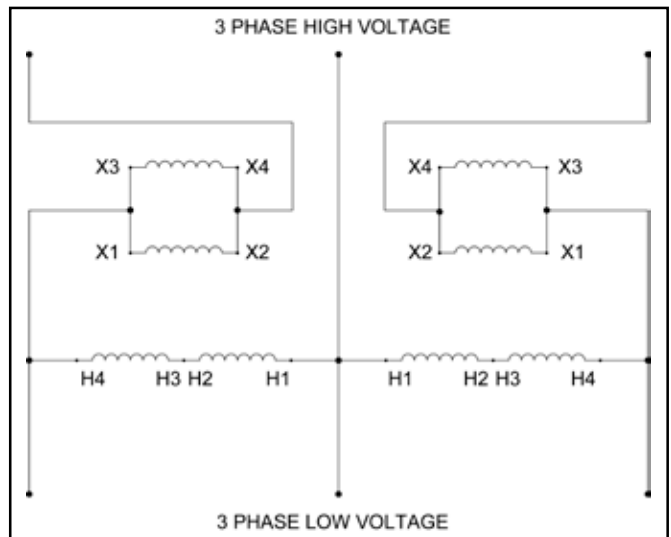
**Connection Diagram #5**



**Connection Diagram #6**

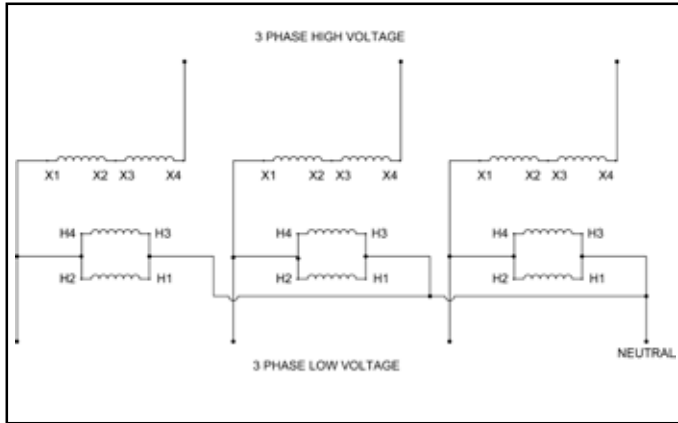


**Connection Diagram #7**

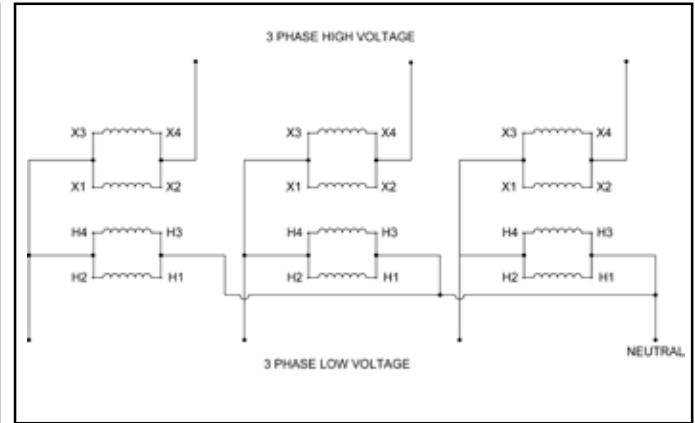


**Connection Diagram #8**

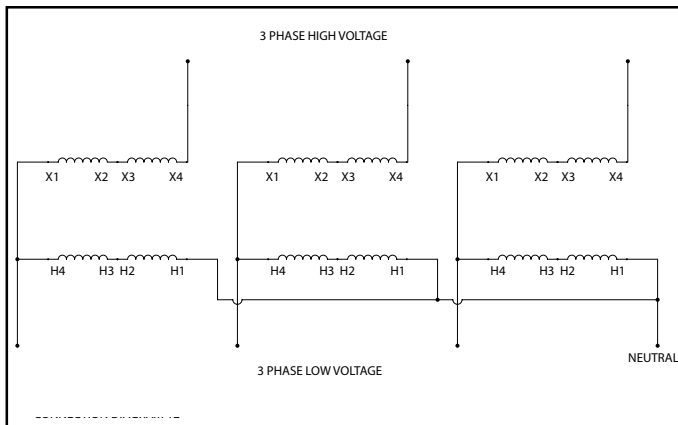
## Three Phase Connection Diagrams



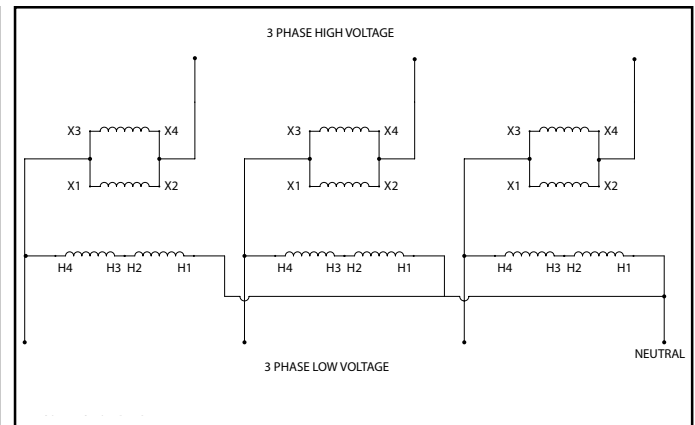
**Connection Diagram #9**



**Connection Diagram #10**



**Connection Diagram #11**



**Connection Diagram #12**

SECTION 2